



ALL-ELECTRIC VAN

ATIQ



2026

The COMSOVE ATIQ is pure electric commercial vehicle with low power consumption and high performance. Its pure drive, powerful electric motor, and automatic shift, make it easy to operate and maintain. Powered by CATL battery with capacity of 53.58 kWh, this silent-running vehicle produces zero emissions and features 290 km driving nominal range on a single charge. The COMSOVE ATIQ meets the transportation needs of urban logistics systems.



Combined range values are determined by evaluating both urban and extra-urban driving conditions under standardized test procedures. These values are typically measured under reference load conditions, usually with the vehicle unladen or at a standard test load. As the vehicle load increases, energy consumption may vary, which can affect the actual driving range. Therefore, the stated combined range should be considered as a general reference value.



Advanced LED headlights redefine visibility with precision and elegance, illuminating every journey with unmatched clarity. A seamless blend of cutting-edge technology and striking design, crafted to inspire confidence on every road.

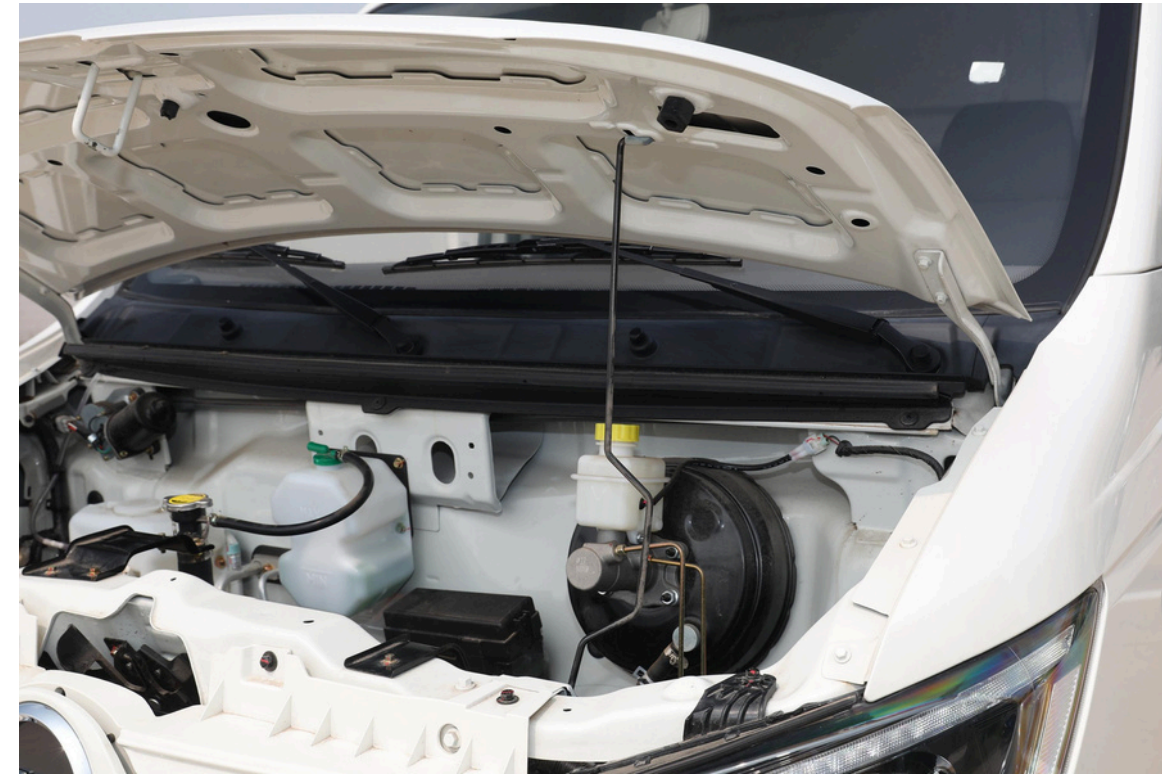
Front-mounted AC/DC charging ports make ATIQ effortlessly accessible, offering flexibility for rapid or standard charging. Designed for convenience, it ensures quick, seamless power-ups anytime, anywhere.

AC charging power: 6.6kW (20% to 80% approx. 5 hours)

DC charging power: 40kW (20% to 80% approx. 50 mins)



ATIQ drastically reduces maintenance costs, requiring less upkeep and eliminating expenses like oil changes and exhaust repairs.



ATIQ, thanks to its electric motor, minimizes maintenance needs and provides greater reliability with fewer moving parts.

Combined Consumption: 22kW/100km

The Perfect Harmony of Technology and Comfort

The ATIQ's interior features a user-friendly multimedia screen on the center console, providing seamless access to entertainment and essential driving information, making every journey more enjoyable and efficient. The next-generation ergonomic automatic gear shifter combines sleek, modern design with functionality, elevating your driving experience to a new level. Designed for ease of use and enriched with elegant details, it ensures top-tier comfort for both the driver and passengers.





ATIQ

Tailored Space for Every Need

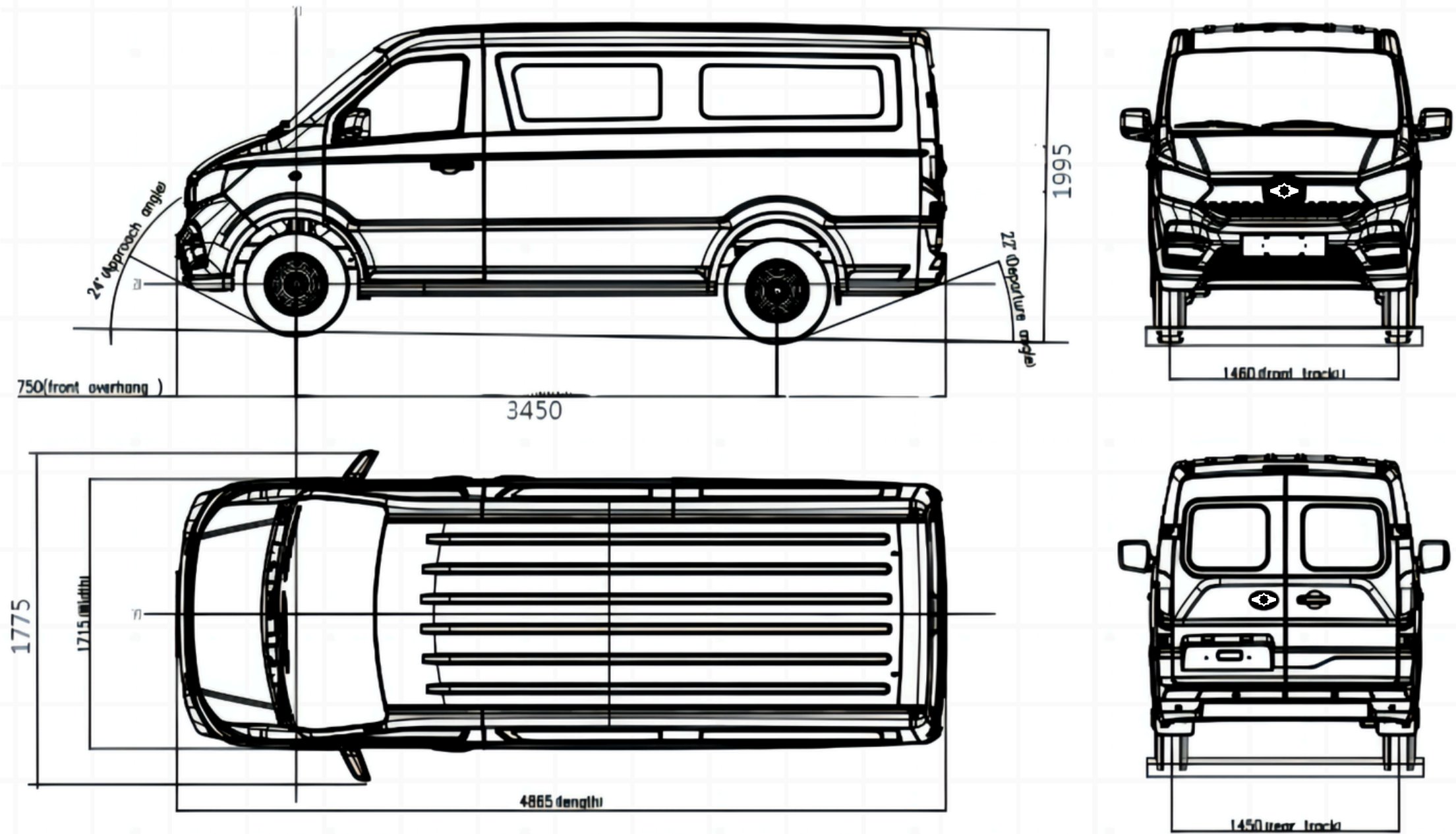


ATIQ offers 6m³ and 7m³ cargo capacity options to handle any load with ease.



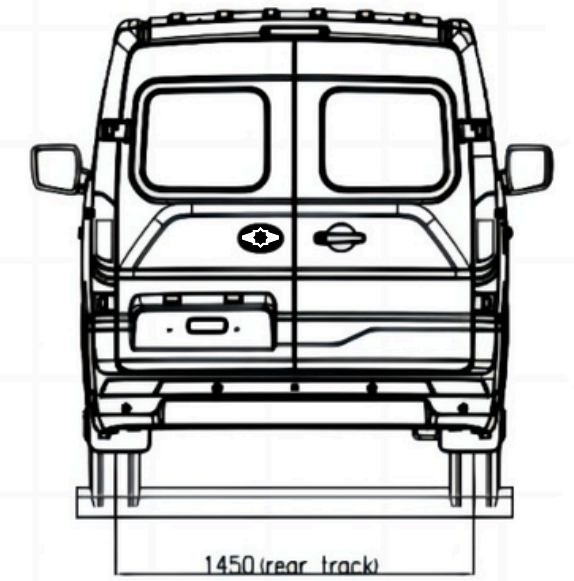
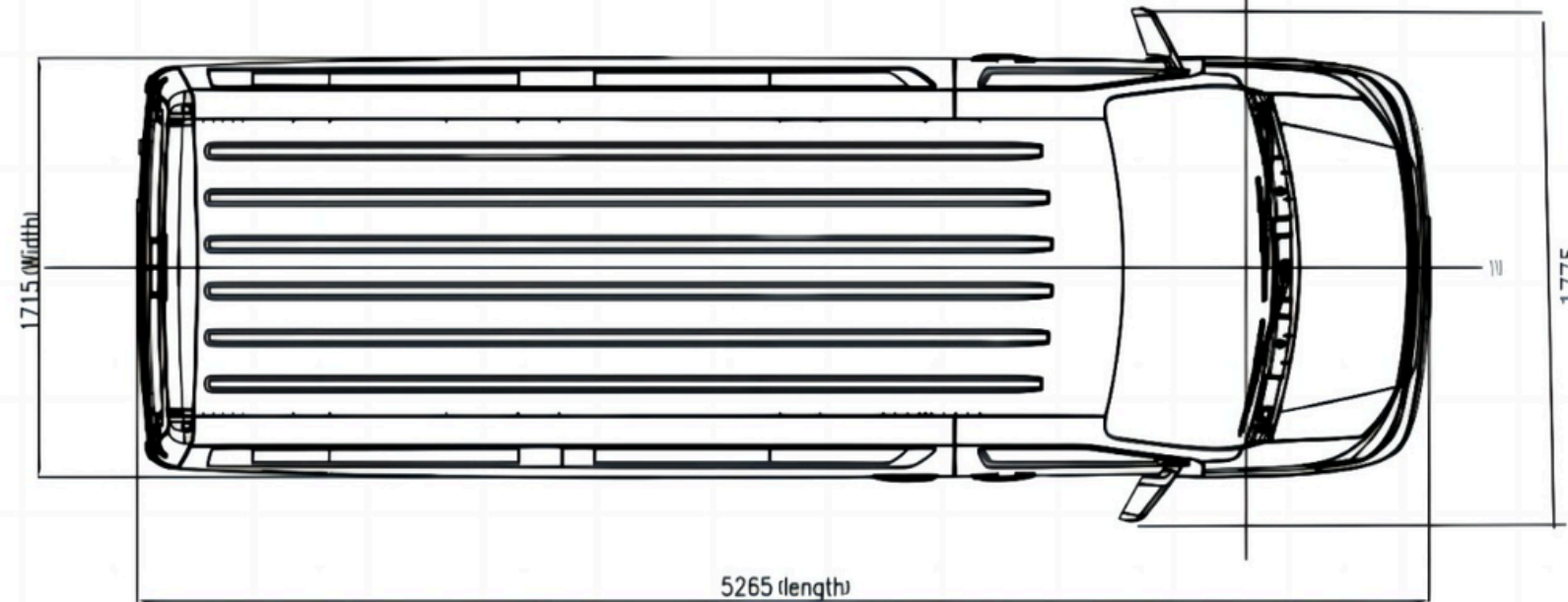
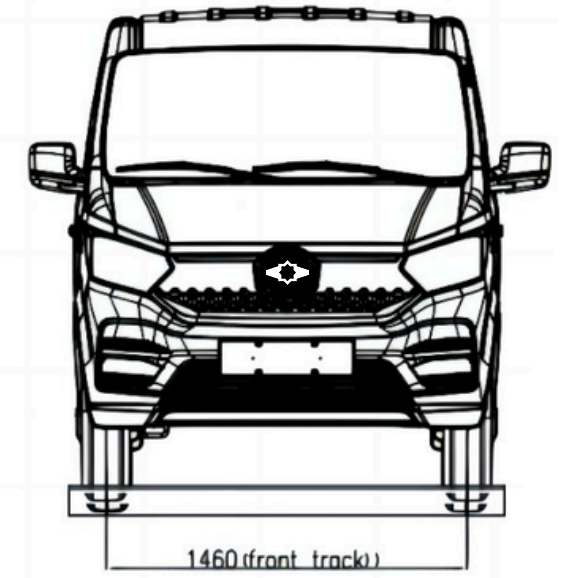
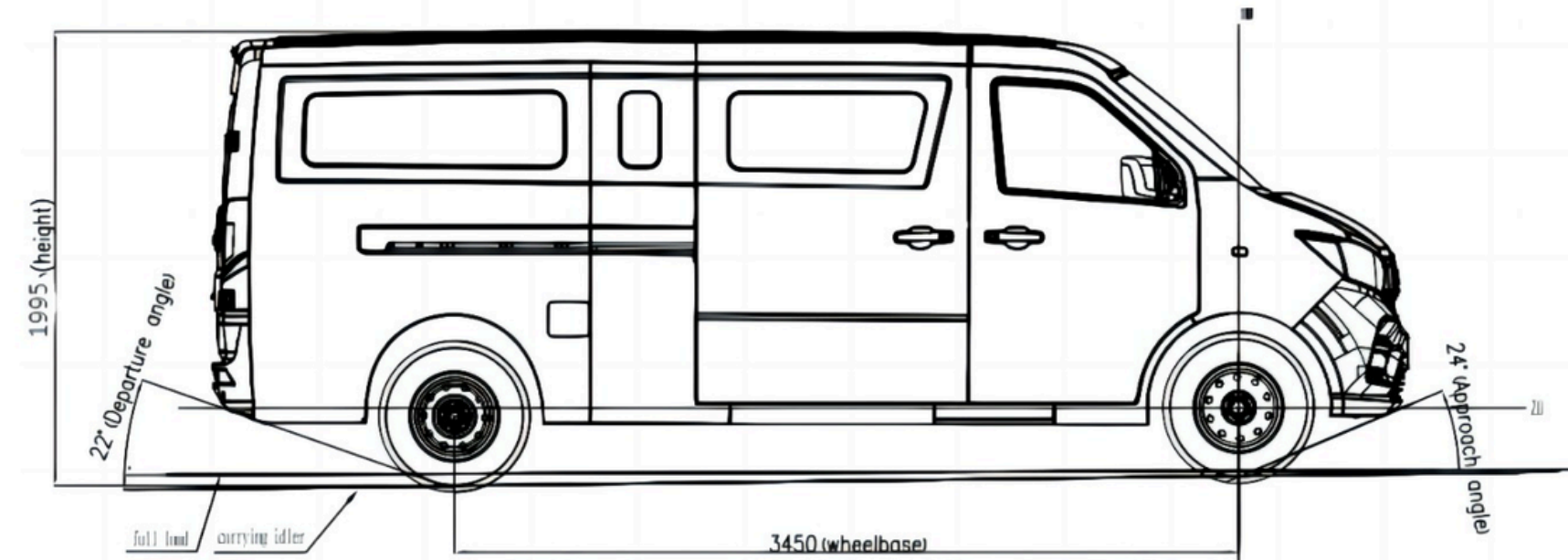
With flexible volume choices, it perfectly adapts to the demands of your business.

COMSOVE



COMSOVE

ATIQ 1VX





AN ELECTRIFYING ELECTRICAL EXPERIENCE

© 2026 COMSOVE. All rights reserved.

All information in this document and all COMSOVE software is subject to copyright and other intellectual property rights of COMSOVE GLOBAL OPERATIONS LIMITED, its affiliates, or its licensors. This material may not be modified, reproduced, or copied, in whole or in part, without the prior written permission of COMSOVE GLOBAL OPERATIONS LIMITED, its affiliates, or its licensors. Some features may not be available depending on your vehicle configuration or region. The images provided in this document are for illustrative purposes only. Depending on the product details and market region, the information in this document may appear slightly different from your product.